

Tubular Heater Products: Radiant Process Heater Assemblies

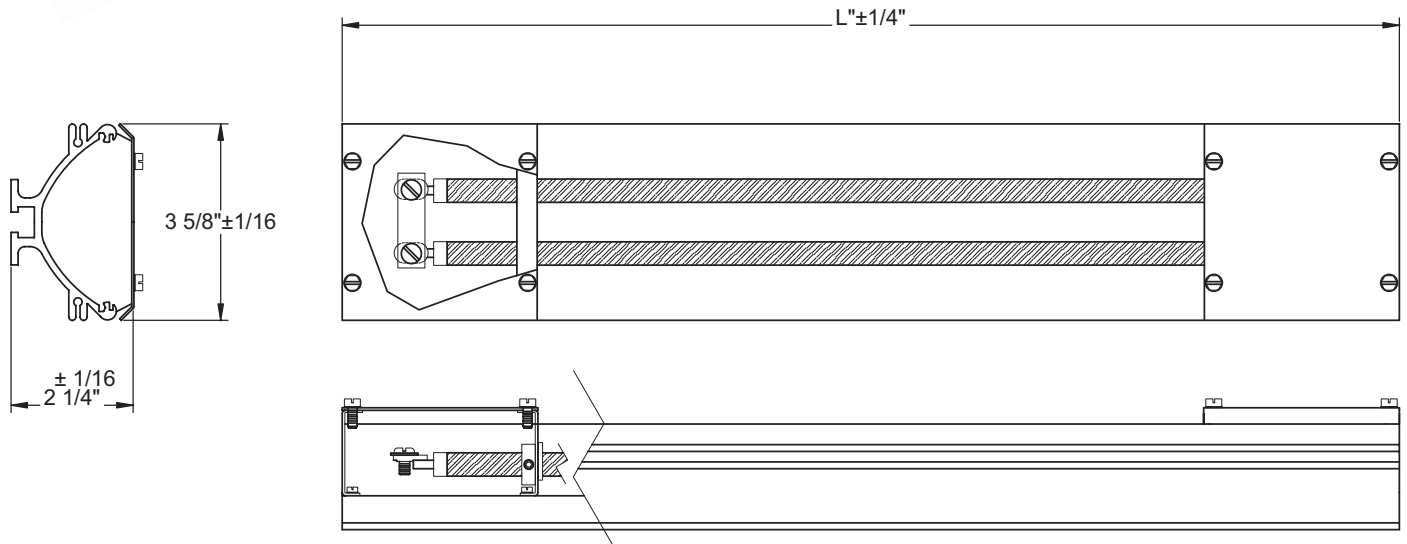
Series RH Radiant Heater Assemblies

Series RH Radiant Heater Assemblies are metal sheathed Tubular Heaters mounted in an aluminum housing with a polished reflector. This package delivers infrared heat (2.5 - 3 micron range) to the surface being heated over a typical range of 500°F. The practical maximum temperature is 900°F.



STANDARD RANGES

- Voltage: 120, 240 and 480 Volts
- Wattage: 800 to 7200 Watts
- Length: 24 to 86 Inches
- Contact CONVECTRONICS for custom wattages and lengths!!



CONSTRUCTION

- Rigid extruded aluminum housing
- Incoloy®800 sheathed tubular element (maximum sheath temp - 1500°F)
- Polished aluminum reflector
- Adjustable mounting bolts (3/8" Dia)
- 1/2" NPT tapped wiring holes
- Snap-on protective grill available

APPLICATIONS

Ideal for applications where high velocity air is not practical, such as:

- Resin Curing
- Plastics Processing
- Food Processing
- Ink Drying
- Paper Products Manufacture
- Ceramic Drying
- Fabric Manufacture

Tubular Heater Products: Radiant Process Heater Assemblies

Total Length* "L" (Inches)	Volts	Watts	Housing/Element Assembly #	Replacement Element #	Replacement Reflector #
Single Element (RHS)					
24	120	800	RHS 801	RE8120	RR24
24	240	800	RHS 802	RE8240	RR24
30	120	1100	RHS 1101	RE11120	RR30
30	240	1100	RHS 1102	RE11240	RR30
46	240	1800	RHS 1802	RE18240	RR46
46	480	1800	RHS 1804	RE18480	RR46
60	240	2500	RHS 2502	RE25240	RR60
60	480	2500	RHS 2504	RE25480	RR60
72	240	3000	RHS 3002	RE30240	RR72
72	480	3000	RHS 3004	RE30480	RR72
86	240	3600	RHS 3602	RE36240	RR86
86	480	3600	RHS 3604	RE36480	RR86
Double Element (RHD)					
24	120	1600	RHD 1601	RE8120	RR24
24	240	1600	RHD 1602	RE8240	RR24
30	120	2200	RHD 2201	RE11120	RR30
30	240	2200	RHD 2202	RE11240	RR30
46	240	3600	RHD 3602	RE18240	RR46
46	480	3600	RHD 3604	RE18240	RR46
60	240	5000	RHD 5002	RE25240	RR60
60	480	5000	RHD 5004	RE25240	RR60
72	240	6000	RHD 6002	RE30240	RR72
72	480	6000	RHD 6004	RE30240	RR72
86	240	7200	RHD 7202	RE36240	RR86
86	480	7200	RHD 7204	RE36240	RR86

*Heated length is 8" less than total length