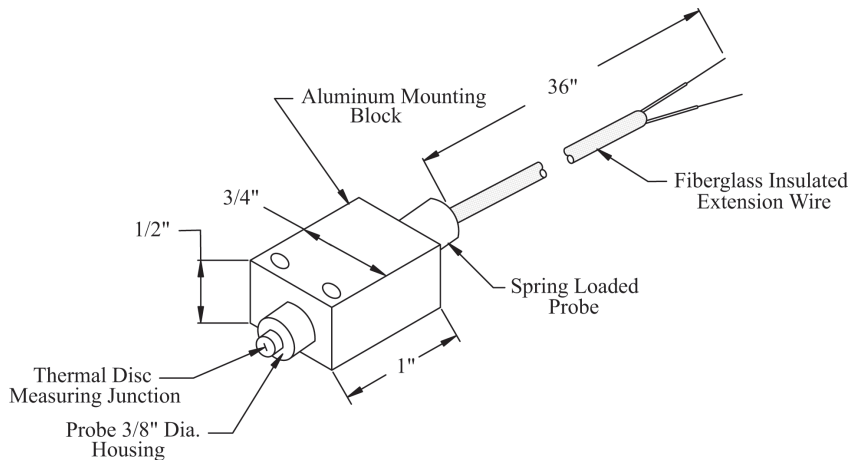


Temperature Sensors: Moving Applications Thermocouples



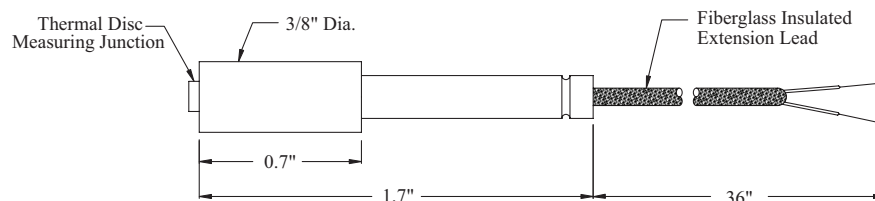
Probe Material	ANSI Type	Junction Type	Part Number
Fiberglass	J K T E	Grounded	T□BC1-36.0G

CONVECTRONICS' Spring Loaded Bearing Probe is engineered for use in applications where a Spring Loaded Sensor must give accurate readings on a moving or rotary surface.

HOW TO ORDER:

T□BC1-36.0G

ANSI Type •
 Thermocouple Style •
 Length (Inches) •
 Junction Type: Grounded •



Probe Material	ANSI Type	Junction Type	Part Number
Fiberglass	J K T E	Grounded	T□BE1-36.0G

Replacement Probes for use with the Spring Loaded Aluminum Mounting Block above.

HOW TO ORDER:

T□BE1-36.0G

ANSI Type •
 Thermocouple Style •
 Length (Inches) •
 Junction Type: Grounded •