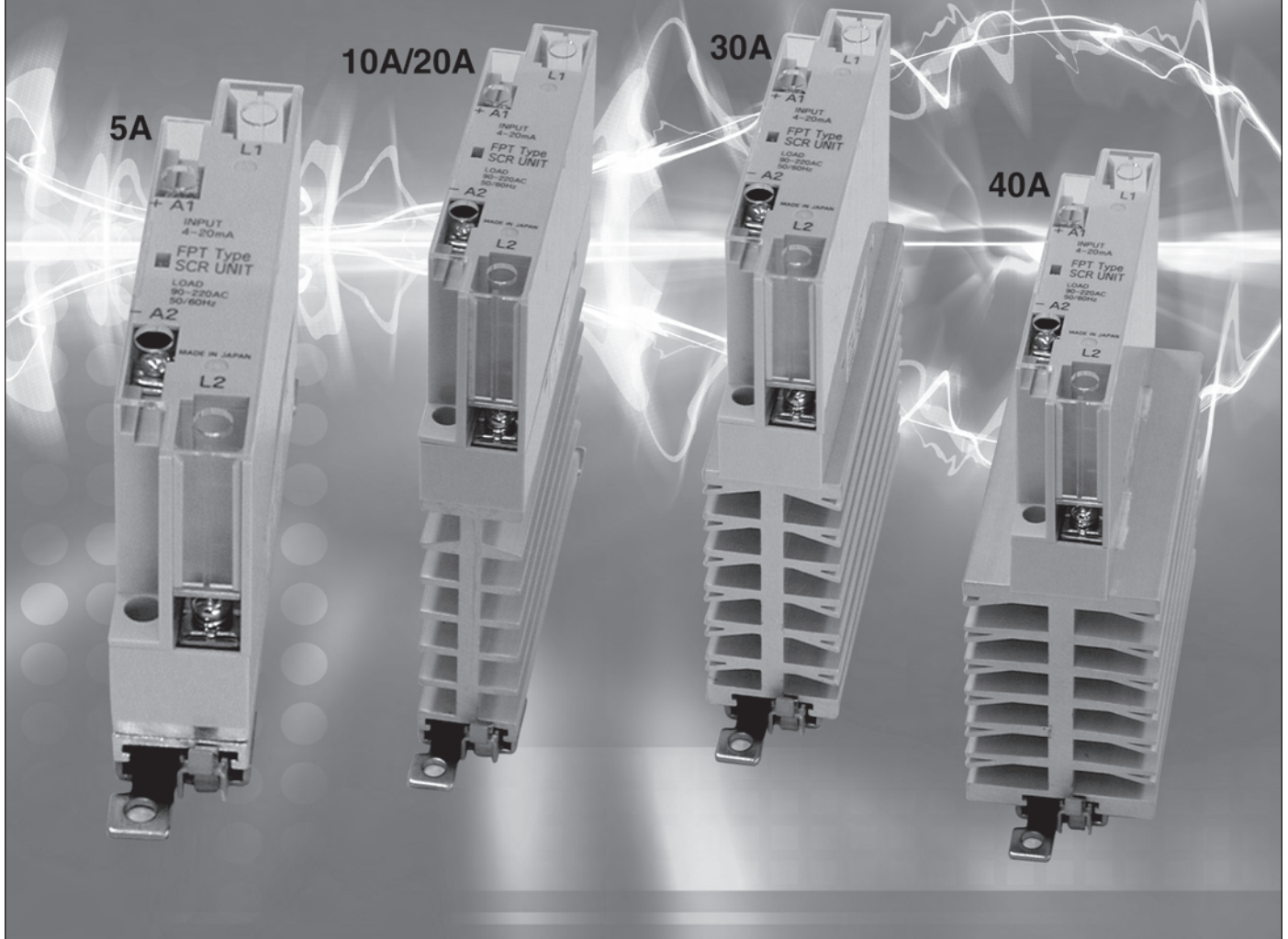


Temperature Controllers:  
FPT Series Single-Phase Power Controllers

# FPT Series

New Model



Single-Phase Power Controller  
DIN Rail-mounted

  
**CONVECTRONICS**

# Temperature Controllers: FPT Series Single-Phase Power Controllers

## Outline

The miniaturization realized low cost  
It answers to highly precise control needs by phase control like a SSR

## Features

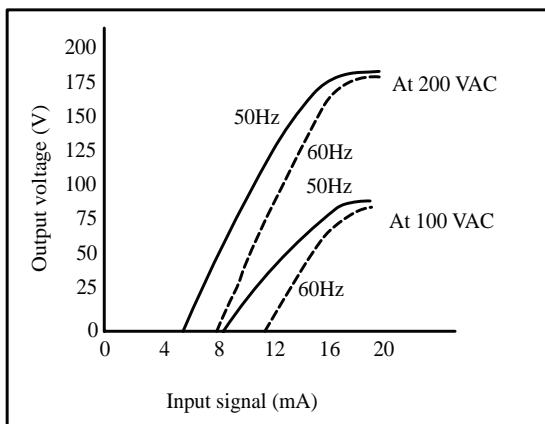
- Slimming called a width of 22mm was realized in 20A article, 45mm was realized in 40A article
- Since it can attach easily to a DIN rail, time and effort is not applied to wiring work
- The safe design by the terminal protective cover
- UL standard acquisition schedule

## Standard Specifications

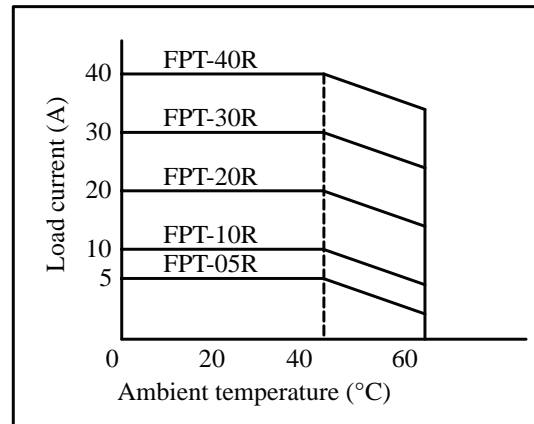
<b>Max Load Current</b>	AC5A, 10A, 20A, 30A, 40A
<b>Control System</b>	Phase control
<b>Applicable Load</b>	Linear (R) load
<b>Input Signals</b>	4 to 20mA DC
<b>Input Impedance</b>	540Ω (with 20-mA input) *Built-in constant voltage circuit: 5V
<b>Load Voltage</b>	AC100~220V
<b>Permissible Voltage Fluctuation</b>	Within +/-10% of the rated load voltage
<b>Leak Current</b>	5 mA or less (at 200 VAC)
<b>Insulation System</b>	Photo-triac or Photo-coupler
<b>Insulation Resistance</b>	Over 100 MΩ (500-VDC megger)
<b>Insulation Withstand Voltage</b>	1500 VAC for one minute
<b>Permissible Ambient Temperature Range</b>	0°C to +40°C (If the ambient temperature exceeds 40°C, see the load current characteristic diagram)
<b>Permissible Ambient Humidity Range</b>	45 to 85% RH
<b>Environmental Conditions</b>	No exposure to corrosive/flammable gases, dust or vibration
<b>Cooling System</b>	Self-cooling by radiator fins
<b>Installation</b>	DIN rail-mounted or wall-mounted

- Notes:
1. Use this product for temperature control exclusively in consideration of its input/output characteristics
  2. This product cannot be equipped to heaters with special characteristics such as Kanthal Super and Siliconit heaters
  3. Use this product in one-to-one combination with a temperature controller

## Input/Output Characteristics

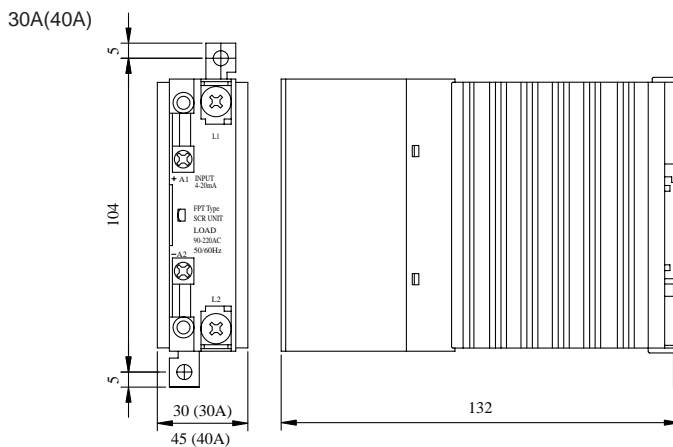
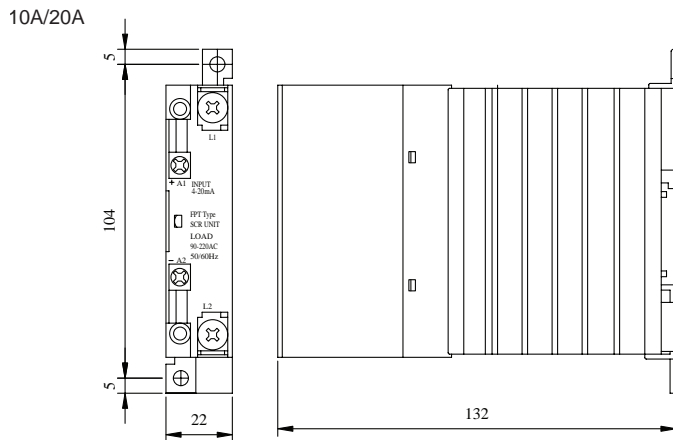
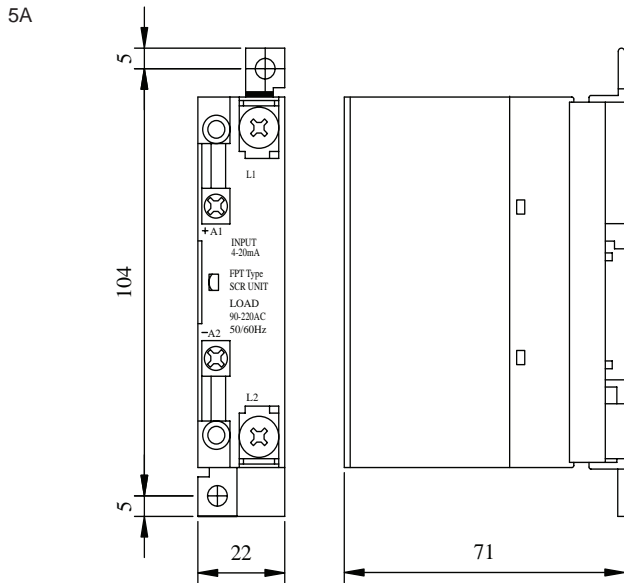


## Ambient Temperature Characteristics



# Temperature Controllers: FPT Series Single-Phase Power Controllers

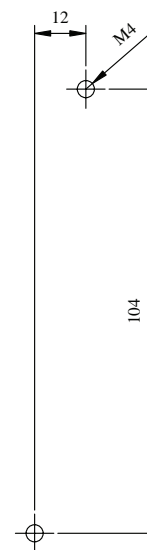
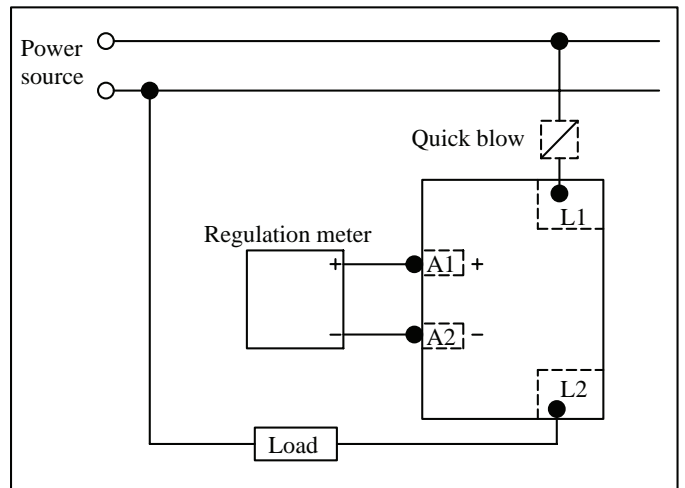
## Dimensional Outline Drawing



## Description of Type Code

Spec	Spec. Code				
	FPT	□	R	A	
Rated Current	Max. load current	5A	05		
		10A	10		
		20A	20		
		30A	30		
		40A	40		
Integral with radiator fins	With radiator fins		R		
Input signals	DC 4to20mA				A

## External Connection Diagram



Panel-mounting hole dimension

# Temperature Controllers: FPT Series Single-Phase Power Controllers

## Model Number Configuration

FPT -      RA

MAXIMUM LOAD CURRENT	CODE	PRICE
5A	05	\$155.00
10A	10	\$160.00
20A	20	\$165.00
30A	30	\$185.00
40A	40	\$205.00

\* Prices Subject to Change

**High Performance  
Temperature & Recording  
Instrumentation  
...At The Lowest Prices Anywhere!**

