

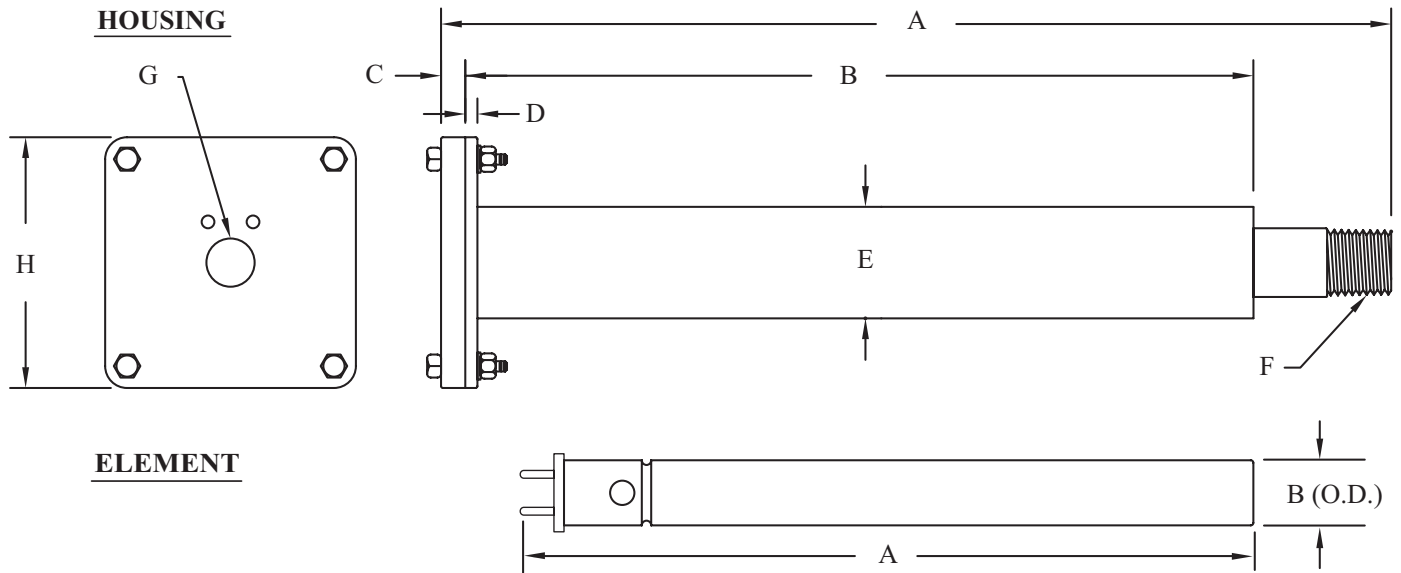
Flameless Electric Air Heaters: Triple Pass Flanged Housings/Elements

Features:

- Gasket flanged inlet for strong air-tight seal
- Pipe thread connections at both inlet and outlet ends for in-line applications

Plus the Standard Features of Style 003:

- Triple pass heat exchanger housing which maximizes heat transfer efficiency while maintaining cool outer shell
- Replaceable elements with choice of wattages
See performance curves on page A10



Housing Part Number	A	B	C	D	E	F	G	H	Element Part Number	Watts	Volts
003-10181	11-3/16"	8-11/16"	1/2"	1/4"	1-1/2"	1/2" NPT	3/8" NPT	2-1/2"	003-10028	2000	240
									003-10029	2800	240
									003-10030	3600	240
003-10182	14-3/16"	11-7/16"	3/4"	1/4"	2-1/8"	1-1/4" NPT	3/4" NPT	4"	003-10031	5000	240
									003-10032	6000	240