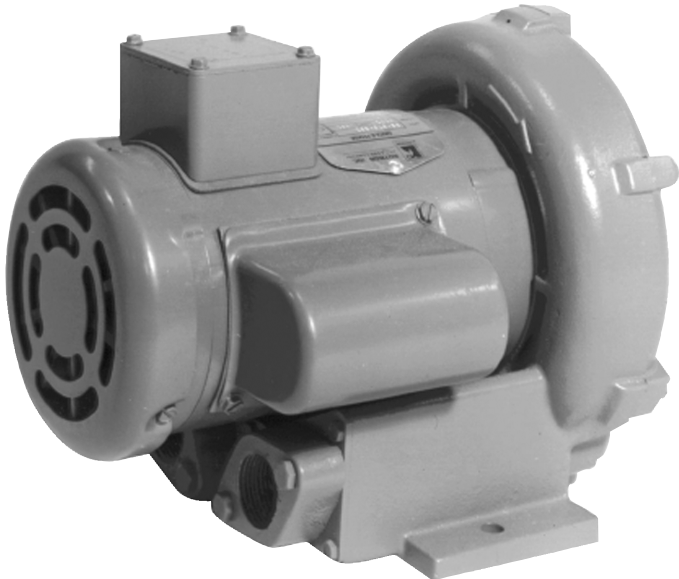


Flameless Electric Air Heaters: Regenerative Blower

Part Number: 009-10252
(For use with 003-10027 Housing Only)

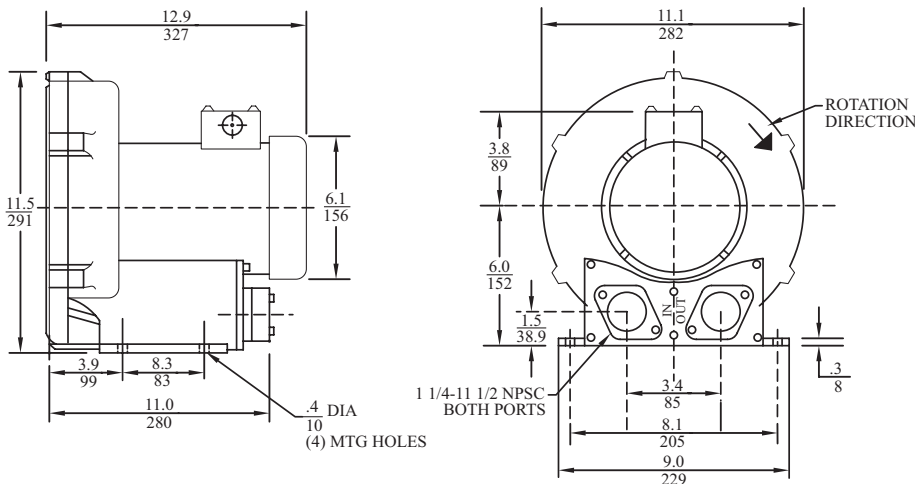


CONVECTRONICS' REGENERATIVE BLOWER can be used as the air source for the 003-10027 Housing (13"), as the maximum pressure is 1.5 psi under normal conditions. All the other heater types operate at higher pressures and can not be used with this blower.

The amount of air flow to the heater should be adjusted by venting some of the blower output into the room by means of a gate valve connected off a tee at the blower outlet.

Never throttle unwanted blower air. Dumping and bleeding air is recommended so that the blower is not over-pressured and overheated.

Use the shortest length and largest diameter piping practical to minimize friction losses and pressure drop. Excessive losses will cause motor overheating and reduced air flow.



Specifications:

- 3/4 Horsepower
- 115/230 Volt Single Phase
- Max. Flow - 84 SCFM
- Max. Pressure - 1.8 psi
- Weight - 52 Lbs.

Accessories:

- **009-10253** Pressure Gauge (0 - 2 psi)
- **009-10254** Input Filter (Recommended in dusty areas)

