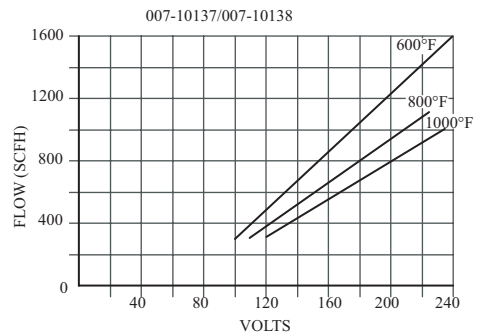
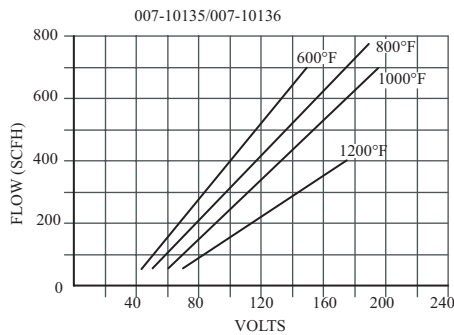
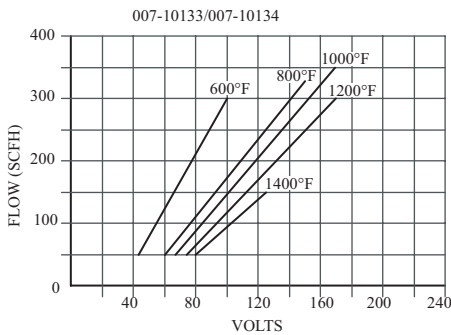


Flameless Electric Air Heaters: In-Line Pipe Heaters

The Style 007 Fluid Heater uses the same element configuration as the Styles 001 and 003 but in a stainless steel pipe. This construction is suited to in-line applications where pipe threads are required at both inlet and outlet ends. Electrical terminations are offered in the form of lead wires and as feedthrus rated up to 150 psi. These heaters can be used to heat substances other than air as long as the fluid is non-conductive and does not chemically react with 300 series stainless steel, silver solder, nickel, aluminum oxide or the epoxy potting material used on the heated model. This product must be properly grounded and fused.

Performance Characteristics:

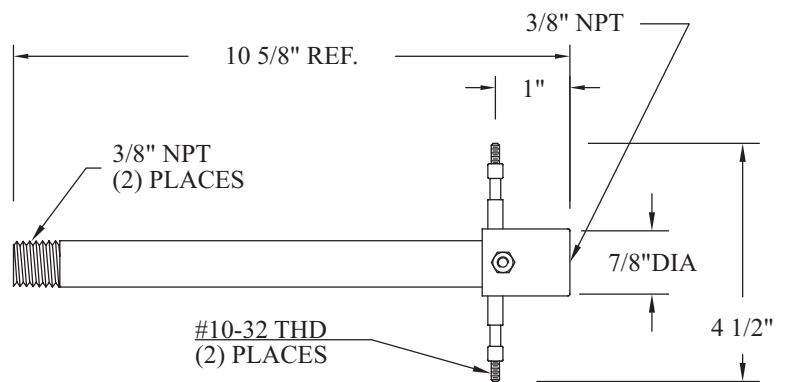
Heating Air
Select the heater that
matches your application



3/8" Pipe

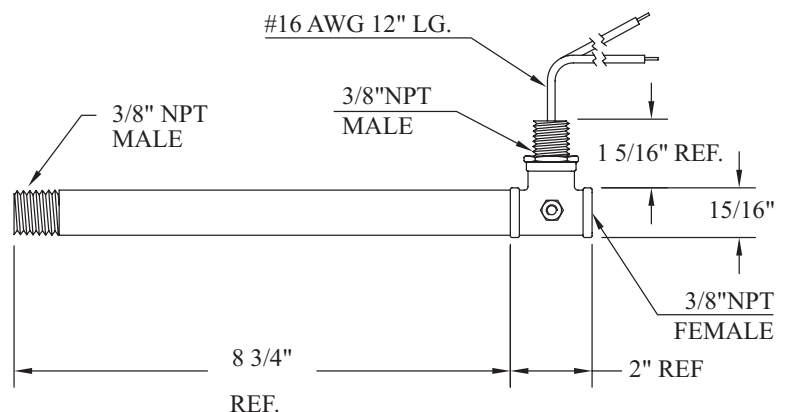
Part # 007-10133

Terminations - Feedthrus
Rating - 800W 120V



Part # 007-10134

Terminations - Leads
Rating - 800W 120V

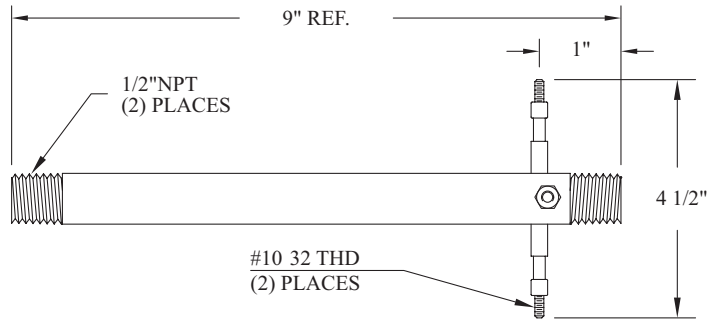


Flameless Electric Air Heaters: In-Line Pipe Heaters

1/2" Pipe

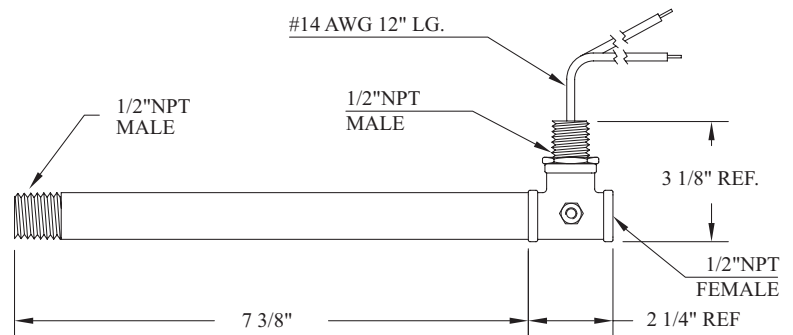
Part # 007-10135

Terminations - Feedthrus
Rating - 4000W 220V



Part # 007-10136

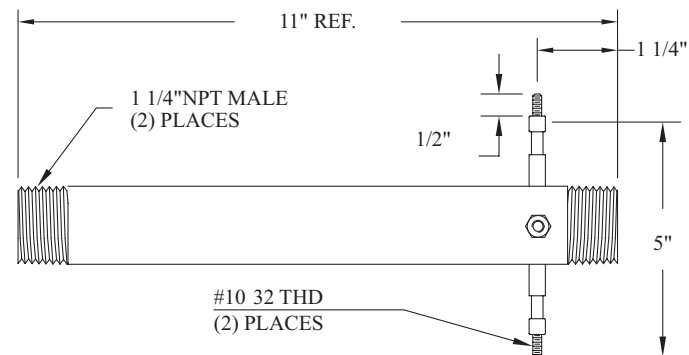
Terminations - Leads
Rating - 4000W 220V



1 1/4" Pipe

Part # 007-10137

Terminations - Feedthrus
Rating - 6000W 220V



Part # 007-10138

Terminations - Leads
Rating - 6000W 220V

